

4

3

2

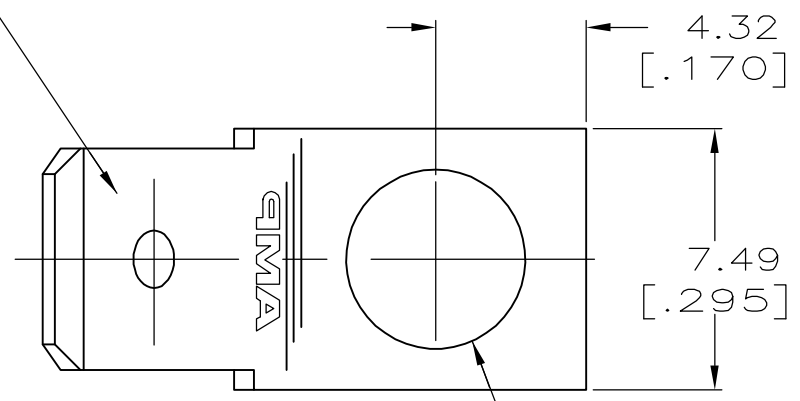
1

THIS DRAWING IS UNPUBLISHED. RELEASED FOR PUBLICATION --
 © COPYRIGHT BY TYCO ELECTRONICS CORPORATION. ALL RIGHTS RESERVED.

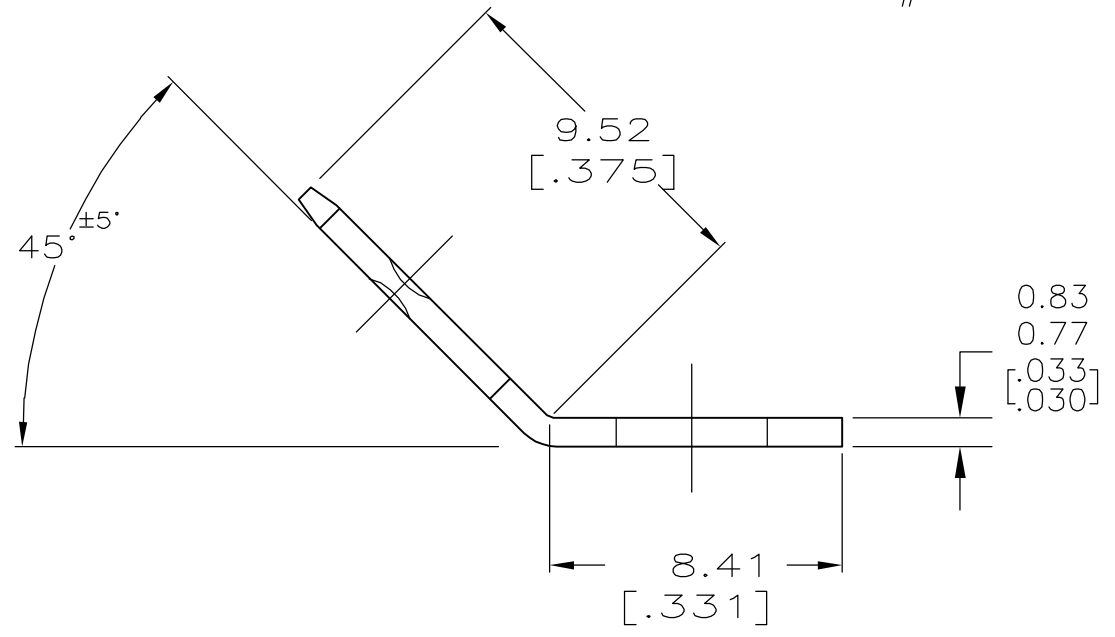
LOC	DIST	REVISIONS					
AF	50	P	LTR	DESCRIPTION	DATE	DWN	APVD
			F	REV PER ECR-05-017287	07APR06	HMR	JR

1 SUPPLIED IN LOOSE PIECE.

FITS 6.35 [.250] SERIES FASTON RECEPTACLE



±0.076 ±0.003
 5.00 [.197]
 #10 STUD HOLE



METRIC

THIS DRAWING IS A CONTROLLED DOCUMENT.	
DIMENSIONS: mm [INCHES]	TOLERANCES UNLESS OTHERWISE SPECIFIED:
	0 PLC ± -
	1 PLC ± -
	2 PLC ± 0.25 [.010]
	3 PLC ± -
	4 PLC ± -
	ANGLES ± -
MATERIAL 082 BRASS	FINISH SEE TABLE

DWN	JR RUTH	11/12/91
CHK	MS FEHER	11/12/91
APVD	C MEYERS	11/12/91
PRODUCT SPEC	-	
APPLICATION SPEC	-	
WEIGHT	-	
CUSTOMER DRAWING		

TIN 0.002032 [.000080] MIN	61499-1
FINISH	PART NO
Tyco Electronics Corporation Harrisburg, PA 17105-3608	
NAME TAB, FASTON,™ 6.35 [.250] SERIES	
SIZE A3	CAGE CODE 00779
DRAWING NO C-61499	RESTRICTED TO -
SCALE 5:1	SHEET 1 of 1
REV F	